

Service  
Service  
Service



Volta ao Menu



# Service Manual

TODOS OS MANUAIS LISTADOS ABAIXO FORAM AGRUPADOS NESTE MANUAL.

## PAINÉIS UTILIZADOS NOS MIDIs

PAINEL	MANUAL	AS 560	AS 565	AS 660C	AS 665C	AS 765C
AF 2 (v1.0)	4806 725 27020	X	X	X	X	X
AUX / CER (v1.0)	4806 725 27021		X		X	X
AUX / MD (v1.0)	4806 725 27022	X		X		
CD-SL (v1.0)	4806 725 27023	X	X			
CDC3 (v1.0)	4806 725 27024			X	X	X
FRONT (v1.0)	4806 725 27025	X	X	X	X	X
KARAOKE (v1.0)	4806 725 27026	X	X	X	X	X
M T F (DECK) (v1.0)	4806 725 27027	X	X	X	X	X
POWER 12W / 18W (v1.0)	4806 725 27028	X	X	X	X	
POWER 70W (v1.0)	4806 725 27038					X
TUNER ECO 5 (v1.0)	4806 725 27029	X	X	X	X	X
CAIXAS ACÚSTICAS	4806 725 27033	X	X	X	X	X



DIAGRAMA ELÉTRICO

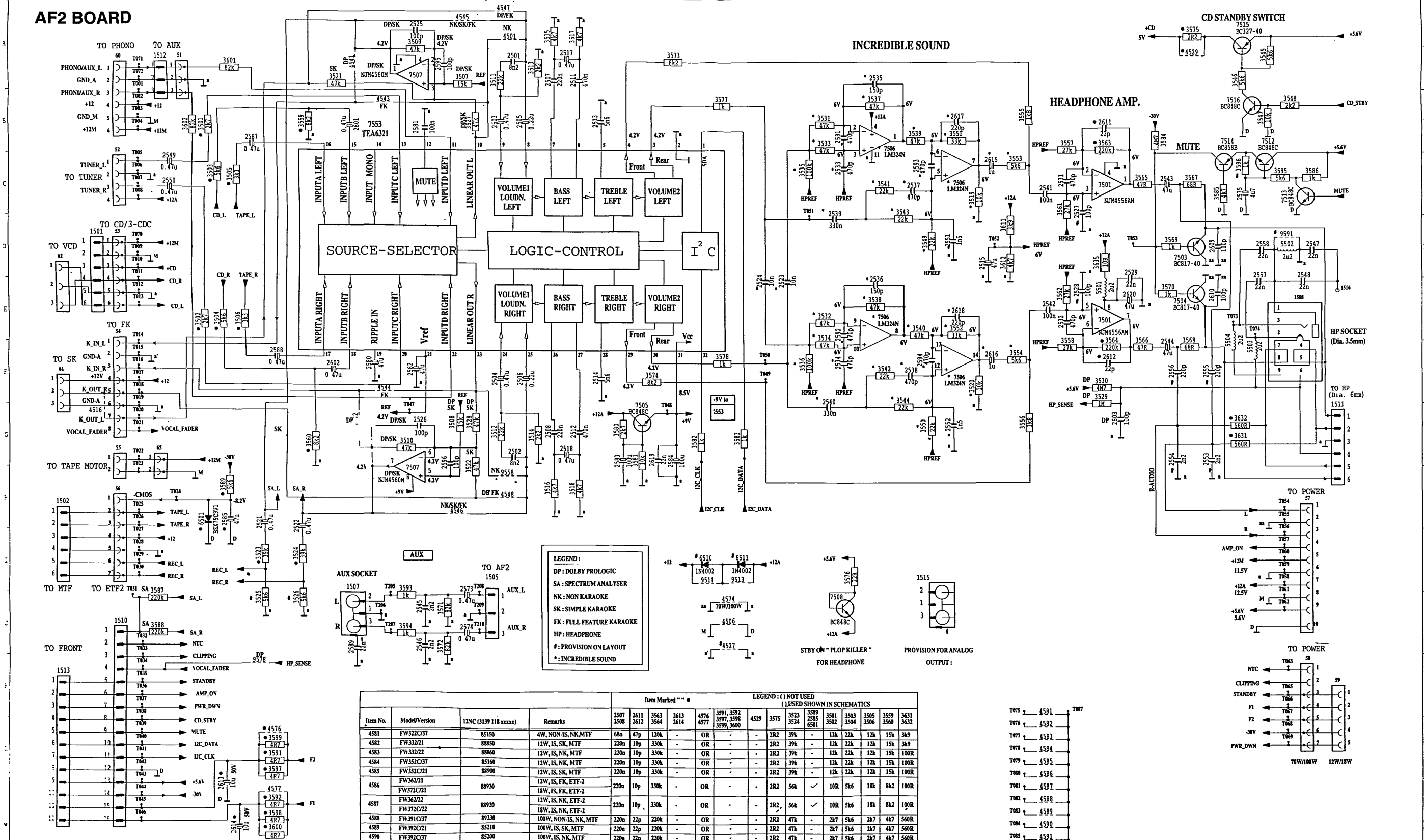
5

AF-2 (v1.0)

6

AF-2 (v1.0)

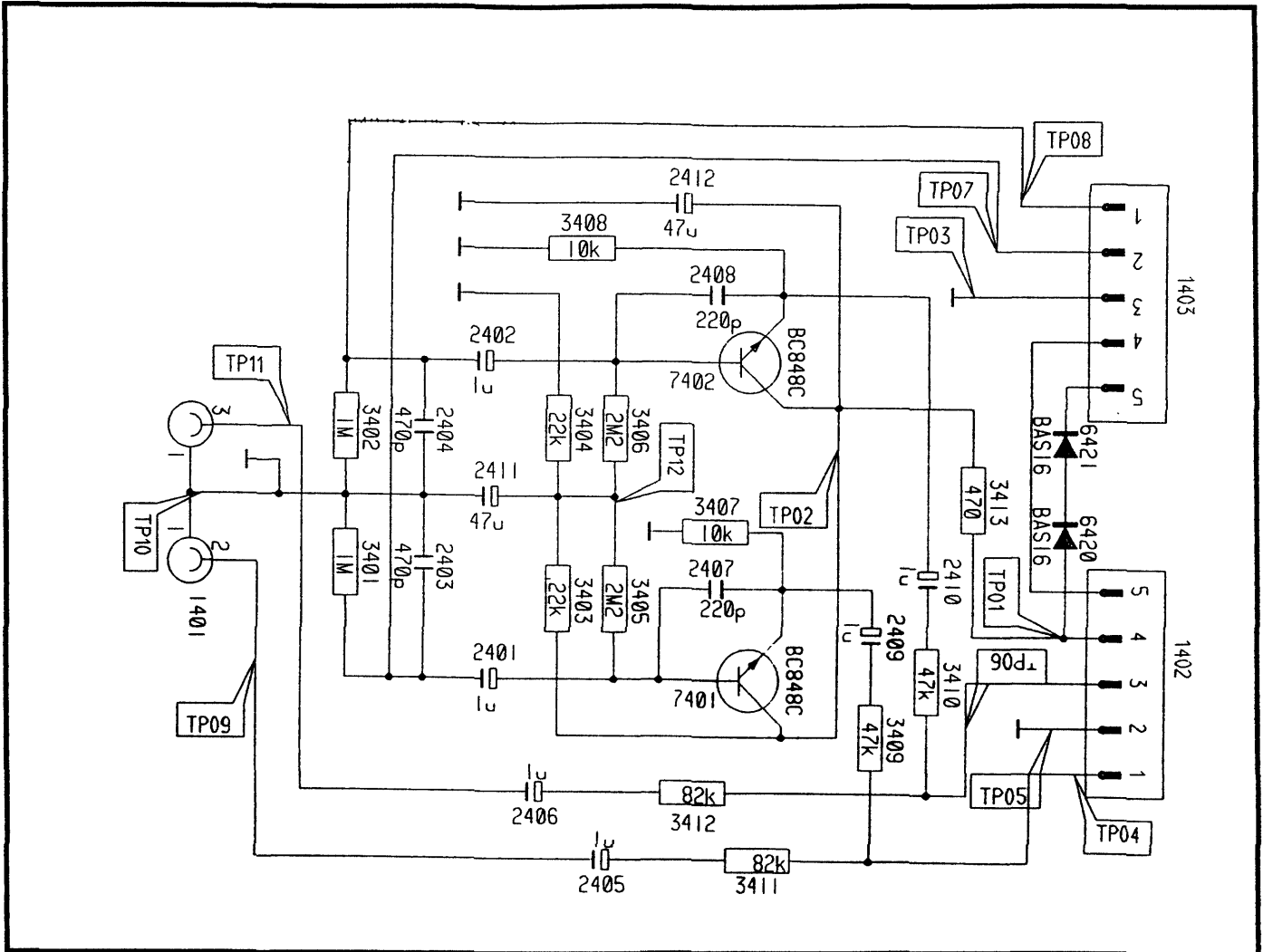
1501 D 2	1513 K 1	2506 F 8	2517 A 9	2527 C17	2536 E14	2544 F19	2552 G15	2574 J 7	2587 B 4	2596 G 7	2613 K 4	3501 C 8	3509 A 7	3517 A 8	3525 B 4	3529 G 4	3533 B 13	3539 B 13	3541 C 14	3544 A 15	3549 G 15	3550 G 15	3557 B 7	3558 F 7	3559 C 18	3573 A 11	3582 G 11	3583 G 11	3591 A 4	3598 L 4	3633 D 18	4543 G 6	4544 B 6	4545 A 6	4546 B 6	4547 L 4	4577 M 4	4588 M 7	4589 M 7	54 B 2	54 C 2	55 K 21	55 L 21	55 M 21	55 N 21	55 O 21	55 P 21	55 Q 21	55 R 21	55 S 21	55 T 21	55 U 21	55 V 21	55 W 21	55 X 21	55 Y 21	55 Z 21	55 AA 21	55 AB 21	55 AC 21	55 AD 21	55 AE 21	55 AF 21	55 AG 21	55 AH 21	55 AI 21	55 AJ 21	55 AK 21	55 AL 21	55 AM 21	55 AN 21	55 AO 21	55 AP 21	55 AQ 21	55 AR 21	55 AS 21	55 AT 21	55 AU 21	55 AV 21	55 AW 21	55 AX 21	55 AY 21	55 AZ 21	55 BA 21	55 BB 21	55 BC 21	55 BD 21	55 BE 21	55 BF 21	55 BG 21	55 BH 21	55 BI 21	55 BJ 21	55 BK 21	55 BL 21	55 BM 21	55 BN 21	55 BO 21	55 BP 21	55 BQ 21	55 BR 21	55 BS 21	55 BT 21	55 BU 21	55 BV 21	55 BW 21	55 BX 21	55 BY 21	55 BZ 21	55 CA 21	55 CB 21	55 CC 21	55 CD 21	55 CE 21	55 CF 21	55 CG 21	55 CH 21	55 CI 21	55 CJ 21	55 CK 21	55 CL 21	55 CM 21	55 CN 21	55 CO 21	55 CP 21	55 CQ 21	55 CR 21	55 CS 21	55 CT 21	55 CU 21	55 CV 21	55 CW 21	55 CX 21	55 CY 21	55 CZ 21	55 DA 21	55 DB 21	55 DC 21	55 DD 21	55 DE 21	55 DF 21	55 DG 21	55 DH 21	55 DI 21	55 DJ 21	55 DK 21	55 DL 21	55 DM 21	55 DN 21	55 DO 21	55 DP 21	55 DQ 21	55 DR 21	55 DS 21	55 DT 21	55 DU 21	55 DV 21	55 DW 21	55 DX 21	55 DY 21	55 DZ 21	55 EA 21	55 EB 21	55 EC 21	55 ED 21	55 EE 21	55 EF 21	55 EG 21	55 EH 21	55 EI 21	55 EJ 21	55 EK 21	55 EL 21	55 EM 21	55 EN 21	55 EO 21	55 EP 21	55 EQ 21	55 ER 21	55 ES 21	55 ET 21	55 EU 21	55 EV 21	55 EW 21	55 EX 21	55 EY 21	55 EZ 21	55 FA 21	55 FB 21	55 FC 21	55 FD 21	55 FE 21	55 FF 21	55 FG 21	55 FH 21	55 FI 21	55 FJ 21	55 FK 21	55 FL 21	55 FM 21	55 FN 21	55 FO 21	55 FP 21	55 FQ 21	55 FR 21	55 FS 21	55 FT 21	55 FU 21	55 FV 21	55 FW 21	55 FX 21	55 FY 21	55 FZ 21	55 GA 21	55 GB 21	55 GC 21	55 GD 21	55 GE 21	55 GF 21	55 GG 21	55 GH 21	55 GI 21	55 GJ 21	55 GK 21	55 GL 21	55 GM 21	55 GN 21	55 GO 21	55 GP 21	55 GQ 21	55 GR 21	55 GS 21	55 GT 21	55 GU 21	55 GV 21	55 GW 21	55 GX 21	55 GY 21	55 GZ 21	55 HA 21	55 HB 21	55 HC 21	55 HD 21	55 HE 21	55 HF 21	55 HG 21	55 HH 21	55 HI 21	55 HJ 21	55 HK 21	55 HL 21	55 HM 21	55 HN 21	55 HO 21	55 HP 21	55 HQ 21	55 HR 21	55 HS 21	55 HT 21	55 HU 21	55 HV 21	55 HW 21	55 HX 21	55 HY 21	55 HZ 21	55 IA 21	55 IB 21	55 IC 21	55 ID 21	55 IE 21	55 IF 21	55 IG 21	55 IH 21	55 II 21	55 IJ 21	55 IK 21	55 IL 21	55 IM 21	55 IN 21	55 IO 21	55 IP 21	55 IQ 21	55 IR 21	55 IS 21	55 IT 21	55 IU 21	55 IV 21	55 IW 21	55 IX 21	55 IY 21	55 IZ 21	55 JA 21	55 JB 21	55 JC 21	55 JD 21	55 JE 21	55 JF 21	55 JG 21	55 JH 21	55 JI 21	55 JJ 21	55 JK 21	55 JL 21	55 JM 21	55 JN 21	55 JO 21	55 JP 21	55 JQ 21	55 JR 21	55 JS 21	55 JT 21	55 JU 21	55 JV 21	55 JW 21	55 JX 21	55 JY 21	55 JZ 21	55 KA 21	55 KB 21	55 KC 21	55 KD 21	55 KE 21	55 KF 21	55 KG 21	55 KH 21	55 KI 21	55 KJ 21	55 KK 21	55 KL 21	55 KM 21	55 KN 21	55 KO 21	55 KP 21	55 KQ 21	55 KR 21	55 KS 21	55 KT 21	55 KU 21	55 KV 21	55 KW 21	55 KX 21	55 KY 21	55 KZ 21	55 LA 21	55 LB 21	55 LC 21	55 LD 21	55 LE 21	55 LF 21	55 LG 21	55 LH 21	55 LI 21	55 LJ 21	55 LK 21	55 LL 21	55 LM 21	55 LN 21	55 LO 21	55 LP 21	55 LQ 21	55 LR 21	55 LS 21	55 LT 21	55 LU 21	55 LV 21	55 LW 21	55 LX 21	55 LY 21	55 LZ 21	55 MA 21	55 MB 21	55 MC 21	55 MD 21	55 ME 21	55 MF 21	55 MG 21	55 MH 21	55 MI 21	55 MJ 21	55 MK 21	55 ML 21	55 MM 21	55 MN 21	55 MO 21	55 MP 21	55 MQ 21	55 MR 21	55 MS 21	55 MT 21	55 MU 21	55 MV 21	55 MW 21	55 MX 21	55 MY 21	55 MZ 21	55 NA 21	55 NB 21	55 NC 21	55 ND 21	55 NE 21	55 NF 21	55 NG 21	55 NH 21	55 NI 21	55 NJ 21	55 NK 21	55 NL 21	55 NM 21	55 NO 21	55 NP 21	55 NQ 21	55 NR 21	55 NS 21	55 NT 21	55 NU 21	55 NV 21	55 NW 21	55 NX 21	55 NY 21	55 NZ 21	55 OA 21	55 OB 21	55 OC 21	55 OD 21	55 OE 21	55 OF 21	55 OG 21	55 OH 21	55 OI 21	55 OJ 21	55 OK 21	55 OL 21	55 OM 21	55 ON 21	55 OO 21	55 OP 21	55 OQ 21	55 OR 21	55 OS 21	55 OT 21	55 OU 21	55 OV 21	55 OW 21	55 OX 21	55 OY 21	55 OZ 21	55 PA 21	55 PB 21	55 PC 21	55 PD 21	55 PE 21	55 PF 21	55 PG 21	55 PH 21	55 PI 21	55 PJ 21	55 PK 21	55 PL 21	55 PM 21	55 PN 21	55 PO 21	55 PP 21	55 PQ 21	55 PR 21	55 PS 21	55 PT 21	55 PU 21	55 PV 21	55 PW 21	55 PX 21	55 PY 21	55 PZ 21	55 QA 21	55 QB 21	55 QC 21	55 QD 21	55 QE 21	55 QF 21	55 QG 21	55 QH 21	55 QI 21	55 QJ 21	55 QK 21	55 QL 21	55 QM 21	55 QN 21	55 QO 21	55 QP 21	55 QQ 21	55 QR 21	55 QS 21	55 QT 21	55 QU 21	55 QV 21	55 QW 21	55 QX 21	55 QY 21	55 QZ 21	55 RA 21	55 RB 21	55 RC 21	55 RD 21	55 RE 21	55 RF 21	55 RG 21	55 RH 21	55 RI 21	55 RJ 21	55 RK 21	55 RL 21	55 RM 21	55 RN 21	55 RO 21	55 RP 21	55 RQ 21	55 RR 21	55 RS 21	55 RT 21	55 RU 21	55 RV 21	55 RW 21	55 RX 21	55 RY 21	55 RZ 21	55 SA 21	55 SB 21	55 SC 21	55 SD 21	55 SE 21	55 SF 21	55 SG 21	55 SH 21	55 SI 21	55 SJ 21	55 SK 21	55 SL 21	55 SM 21	55 SN 21	55 SO 21	55 SP 21	55 SQ 21	55 SR 21	55 SS 21	55 ST 21	55 SU 21	55 SV 21	55 SW 21	55 SX 21	55 SY 21	55 SZ 21	55 TA 21	55 TB 21	55 TC 21	55 TD 21	55 TE 21	55 TF 21	55 TG 21	55 TH 21	55 TI 21	55 TJ 21	55 TK 21	55 TL 21	55 TM 21	55 TN 21	55 TO 21	55 TP 21	55 TQ 21	55 TR 21	55 TS 21	55 TU 21	55 TV 21	55 TV 21	55 TW 21	55 TX 21	55 TY 21	55 TZ 21	55 UA 21	55 UB 21	55 UC 21	55 UD 21	55 UE 21	55 UF 21	55 UG 21	55 UH 21	55 UI 21	55 UJ 21	55 UK 21	55 UL 21	55 UM 21	55 UN 21	55 UO 21	55 UP 21	55 UQ 21	55 UR 21	55 US 21	55 UT 21	55 UU 21	55 UV 21	55 UW 21	55 UX 21	55 UY 21	55 UZ 21	55 VA 21	55 VB 21	55 VC 21	55 VD 21	55 VE 21	55 VF 21	55 VG 21	55 VH 21	55 VI 21	55 VJ 21	55 VK 21	55 VL 21	55 VM 21	55 VN 21	55 VO 21	55 VP 21	55 VQ 21	55 VR 21	55 VS 21	55 VT 21	55 VU 21	55 VV 21	55 VW 21	55 VX 21	55 VY 21	55 VZ 21	55 WA 21	55 WB 21	55 WC 21	55 WD 21	55 WE 21	55 WF 21	55 WG 21	55 WH 21	55 WI 21	55 WJ 21	55 WK 21	55 WL 21	55 WM 21	55 WN 21	55 WO 21	55 WP 21	55 WQ 21	55 WR 21	55 WS 21	55 WT 21	55 WU 21	55 WV 21	55 WW 21	55 WX 21	55 WY 21	55 WZ 21	55 XA 21	55 XB 21	55 XC 21	55 XD 21	55 XE 21	55 XF 21	55 XG 21	55 XH 21	55 XI 21	55 XJ 21	55 XK 21	55 XL 21	55 XM 21	55 XN 21	55 XO 21	55 XP 21	55 XQ 21	55 XR 21	55 XS 21	55 XT 21	55 XU 21	55 XV 21	55 XW 21	55 XX 21	55 XY 21	55 XZ 21	55 YA 21	55 YB 21	55 YC 21	55 YD 21	55 YE 21	55 YF 21	55 YG 21	55 YH 21	55 YI 21	55 YJ 21	55 YK 21	55 YL 21	55 YM 21	55 YN 21	55 YO 21	55 YP 21	55 YQ 21	55 YR 21	55 YS 21	55 YT 21	55 YU 21	55 YV 21	55 YW 21	55 YX 21	55 YZ 21	55 ZA 21	55 ZB 21	55 ZC 21	55 ZD 21	55 ZE 21	55 ZF 21	55 ZG 21	55 ZH 21	55 ZI 21	55 ZJ 21	55 ZK 21	55 ZL 21	55 ZM 21	55 ZN 21	55 ZO 21	55 ZP 21	55 ZQ 21	55 ZR 21	55 ZS 21	55 ZT 21	55 ZU 21	55 ZV 21	55 ZW 21	55 ZX 21	55 ZY 21	55 ZZ 21
----------	----------	----------	----------	----------	----------	----------	----------	----------	----------	----------	----------	----------	----------	----------	----------	----------	-----------	-----------	-----------	-----------	-----------	-----------	----------	----------	-----------	-----------	-----------	-----------	----------	----------	-----------	----------	----------	----------	----------	----------	----------	----------	----------	--------	--------	---------	---------	---------	---------	---------	---------	---------	---------	---------	---------	---------	---------	---------	---------	---------	---------	----------	----------	----------	----------	----------	----------	----------	----------	----------	----------	----------	----------	----------	----------	----------	----------	----------	----------	----------	----------	----------	----------	----------	----------	----------	----------	----------	----------	----------	----------	----------	----------	----------	----------	----------	----------	----------	----------	----------	----------	----------	----------	----------	----------	----------	----------	----------	----------	----------	----------	----------	----------	----------	----------	----------	----------	----------	----------	----------	----------	----------	----------	----------	----------	----------	----------	----------	----------	----------	----------	----------	----------	----------	----------	----------	----------	----------	----------	----------	----------	----------	----------	----------	----------	----------	----------	----------	----------	----------	----------	----------	----------	----------	----------	----------	----------	----------	----------	----------	----------	----------	----------	----------	----------	----------	----------	----------	----------	----------	----------	----------	----------	----------	----------	----------	----------	----------	----------	----------	----------	----------	----------	----------	----------	----------	----------	----------	----------	----------	----------	----------	----------	----------	----------	----------	----------	----------	----------	----------	----------	----------	----------	----------	----------	----------	----------	----------	----------	----------	----------	----------	----------	----------	----------	----------	----------	----------	----------	----------	----------	----------	----------	----------	----------	----------	----------	----------	----------	----------	----------	----------	----------	----------	----------	----------	----------	----------	----------	----------	----------	----------	----------	----------	----------	----------	----------	----------	----------	----------	----------	----------	----------	----------	----------	----------	----------	----------	----------	----------	----------	----------	----------	----------	----------	----------	----------	----------	----------	----------	----------	----------	----------	----------	----------	----------	----------	----------	----------	----------	----------	----------	----------	----------	----------	----------	----------	----------	----------	----------	----------	----------	----------	----------	----------	----------	----------	----------	----------	----------	----------	----------	----------	----------	----------	----------	----------	----------	----------	----------	----------	----------	----------	----------	----------	----------	----------	----------	----------	----------	----------	----------	----------	----------	----------	----------	----------	----------	----------	----------	----------	----------	----------	----------	----------	----------	----------	----------	----------	----------	----------	----------	----------	----------	----------	----------	----------	----------	----------	----------	----------	----------	----------	----------	----------	----------	----------	----------	----------	----------	----------	----------	----------	----------	----------	----------	----------	----------	----------	----------	----------	----------	----------	----------	----------	----------	----------	----------	----------	----------	----------	----------	----------	----------	----------	----------	----------	----------	----------	----------	----------	----------	----------	----------	----------	----------	----------	----------	----------	----------	----------	----------	----------	----------	----------	----------	----------	----------	----------	----------	----------	----------	----------	----------	----------	----------	----------	----------	----------	----------	----------	----------	----------	----------	----------	----------	----------	----------	----------	----------	----------	----------	----------	----------	----------	----------	----------	----------	----------	----------	----------	----------	----------	----------	----------	----------	----------	----------	----------	----------	----------	----------	----------	----------	----------	----------	----------	----------	----------	----------	----------	----------	----------	----------	----------	----------	----------	----------	----------	----------	----------	----------	----------	----------	----------	----------	----------	----------	----------	----------	----------	----------	----------	----------	----------	----------	----------	----------	----------	----------	----------	----------	----------	----------	----------	----------	----------	----------	----------	----------	----------	----------	----------	----------	----------	----------	----------	----------	----------	----------	----------	----------	----------	----------	----------	----------	----------	----------	----------	----------	----------	----------	----------	----------	----------	----------	----------	----------	----------	----------	----------	----------	----------	----------	----------	----------	----------	----------	----------	----------	----------	----------	----------	----------	----------	----------	----------	----------	----------	----------	----------	----------	----------	----------	----------	----------	----------	----------	----------	----------	----------	----------	----------	----------	----------	----------	----------	----------	----------	----------	----------	----------	----------	----------	----------	----------	----------	----------	----------	----------	----------	----------	----------	----------	----------	----------	----------	----------	----------	----------	----------	----------	----------	----------	----------	----------	----------	----------	----------	----------	----------	----------	----------	----------	----------	----------	----------	----------	----------	----------	----------	----------	----------	----------	----------	----------	----------	----------	----------	----------	----------	----------	----------	----------	----------	----------	----------	----------	----------	----------	----------	----------	----------	----------	----------	----------	----------	----------	----------	----------	----------	----------	----------	----------	----------	----------	----------	----------	----------	----------	----------	----------	----------	----------	----------	----------	----------	----------	----------	----------	----------	----------	----------	----------	----------	----------	----------	----------	----------	----------	----------	----------	----------	----------	----------	----------	----------	----------	----------	----------	----------	----------	----------	----------	----------	----------	----------	----------	----------	----------	----------	----------	----------	----------	----------	----------	----------	----------	----------	----------	----------	----------	----------	----------	----------	----------	----------	----------	----------	----------	----------	----------	----------	----------	----------	----------	----------	----------	----------	----------	----------	----------	----------	----------	----------	----------	----------	----------	----------	----------	----------	----------	----------	----------	----------



16 APR 96

Item No.	Model/Version	12NC (1139 118 xxxxx)	Remarks	2297	2611	3563	2613	4576	3591, 3592	4529	3575	3523	3589	3501	3503	3505	3539	3631	
4581	FW312C/37	85150	4W, NON-IS, NK, MTF	68n	47p	120k	-	OR	-	2R2	39k	-	12k	22k	12k	15k	3k9		
4582	FW312/21	88850	12W, IS, SK, MTF	220n	10p	330k	-	OR	-	2R2	39k	-	12k	22k	12k	15k	3k9		
4583	FW312/22	88860	12W, IS, NK, MTF	220n	10p	330k	-	OR	-	2R2	39k	-	12k	22k	12k	15k	100R		
4584	FW312C/37	85160	12W, IS, NK, MTF	220n	10p	330k	-	OR	-	2R2	39k	-	12k	22k	12k	15k	100R		
4585	FW312C/21	88900	12W, IS, SK, MTF	220n	10p	330k	-	OR	-	2R2	39k	-	12k	22k	12k	15k	100R		
4586	FW362/21	88930	12W, IS, FK, ETF-2	220n	10p	330k	-	OR	-	2R2	50k	✓	10R	5k6	18k	8k2	100R		
4587	FW372/21	88920	18W, IS, NK, ETF-1	220n	10p	330k	-	OR	-	2R2	50k	✓	10R	5k6	18k	8k2	100R		
4588	FW391C/37	89330	100W, NON-IS, NK, MTF	220n	22p	220k	-	OR	-	2R2	47k	-	2k7	5k6	2k7	4k7	560R		
4589	FW392/21	85210	100W, IS, SK, MTF	220n	22p	220k	-	OR	-	2R2	47k	-	2k7	5k6	2k7	4k7	560R		
4590	FW391C/37	85200	100W, IS, NK, MTF	220n	22p	220k	-	OR	-	2R2	47k	-	2k7	5k6	2k7	4k7	560R		
4591	MC150 ALL VERSION	88810	12W, IS, NK, ETF-2	100n	22p	220k	100p	50V	-	4R7	OR	-	100k	✓	2k7	6k8	3k3	8k2	47R
4592	MC170 ALL VERSION	85980	70W, IS, NK, ETF-2	200n	22p	220k	100p	50V	-	4R7	OR	-	100k	✓	2k7	5k6	3k3	8k2	560R

**DIAGRAMA ELÉTRICO**

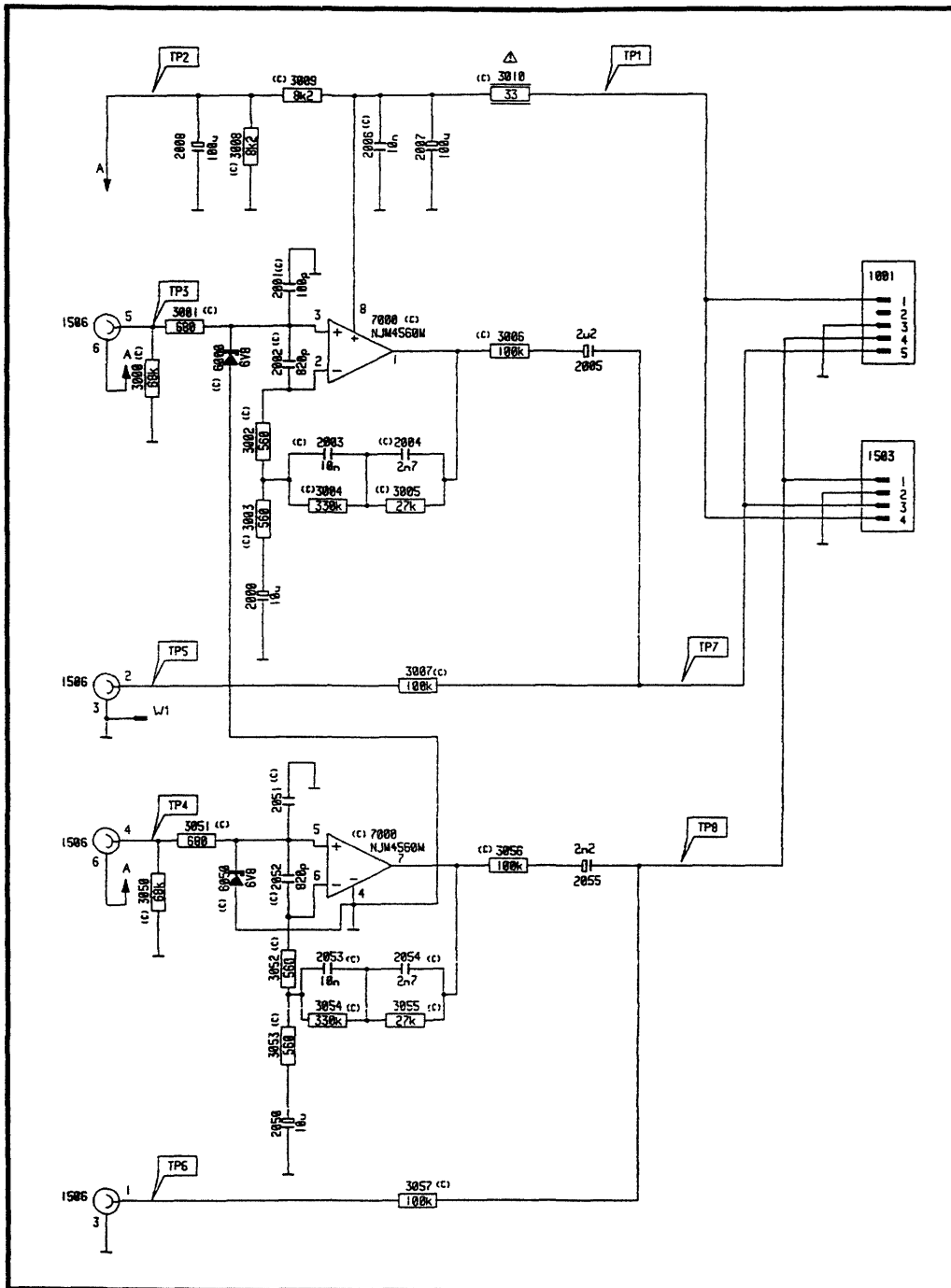


**LISTA DE PEÇAS**

POSICÃO	CÓDIGO	DESCRIÇÃO
1401	Não disponível	Sem condições de fornecimento
1402	Não disponível	Sem condições de fornecimento
1403	Não disponível	Sem condições de fornecimento
6420	4806 130 37325	Diodo - BAS 16
6421	4806 130 37325	Diodo - BAS 16
7401	4806 130 47321	Transistor - BC 848C
7402	4806 130 47321	Transistor - BC 848C

**Obs:** Materias Standard como capacitores, resistores e etc, devem ser os de uso normal em nossa linha de aparelhos.

## DIAGRAMA ELÉTRICO



## LISTA DE PEÇAS

POSICÃO	CÓDIGO	DESCRIÇÃO
6000	4806 130 37052	ZENER - BZX79C6V8
6050	4806 130 37052	ZENER - BZX79C6V8
7000	4806 209 83357	IC - NJM4560M

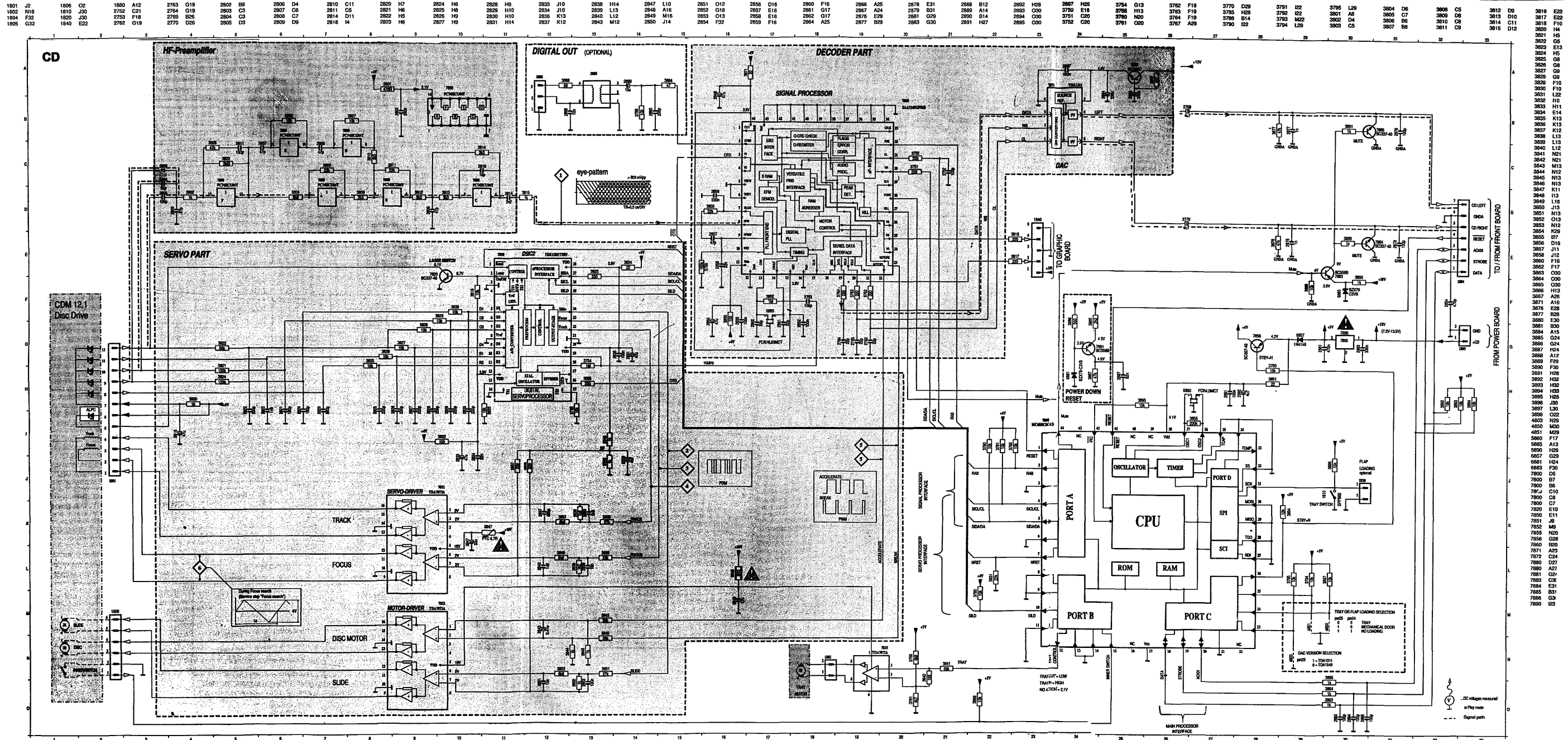
**Obs:** Materias Standard como capacitores, resistores e etc, devem ser os de uso normal em nossa linha de aparelhos.

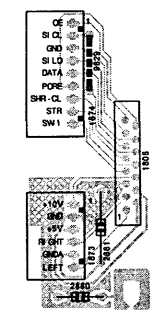
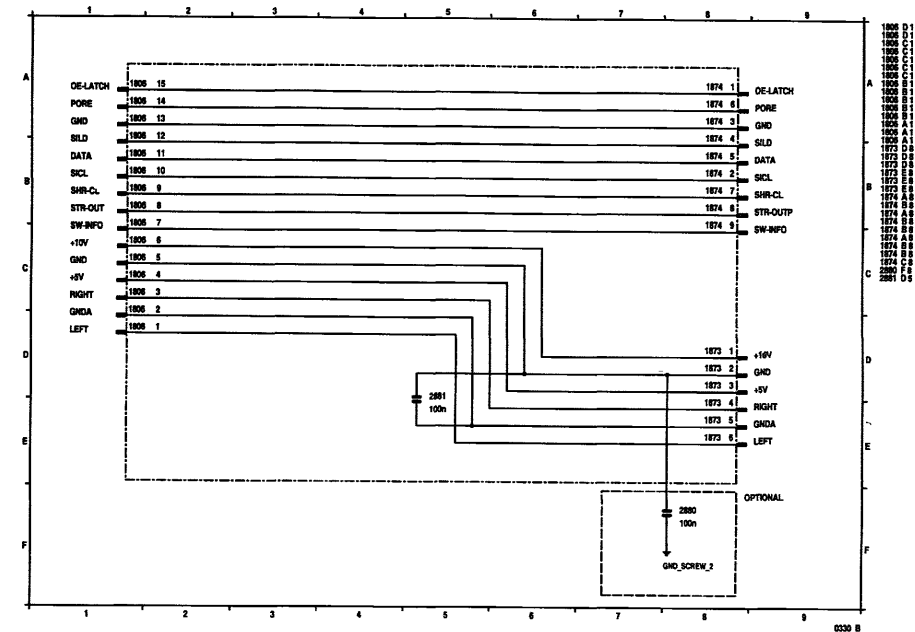
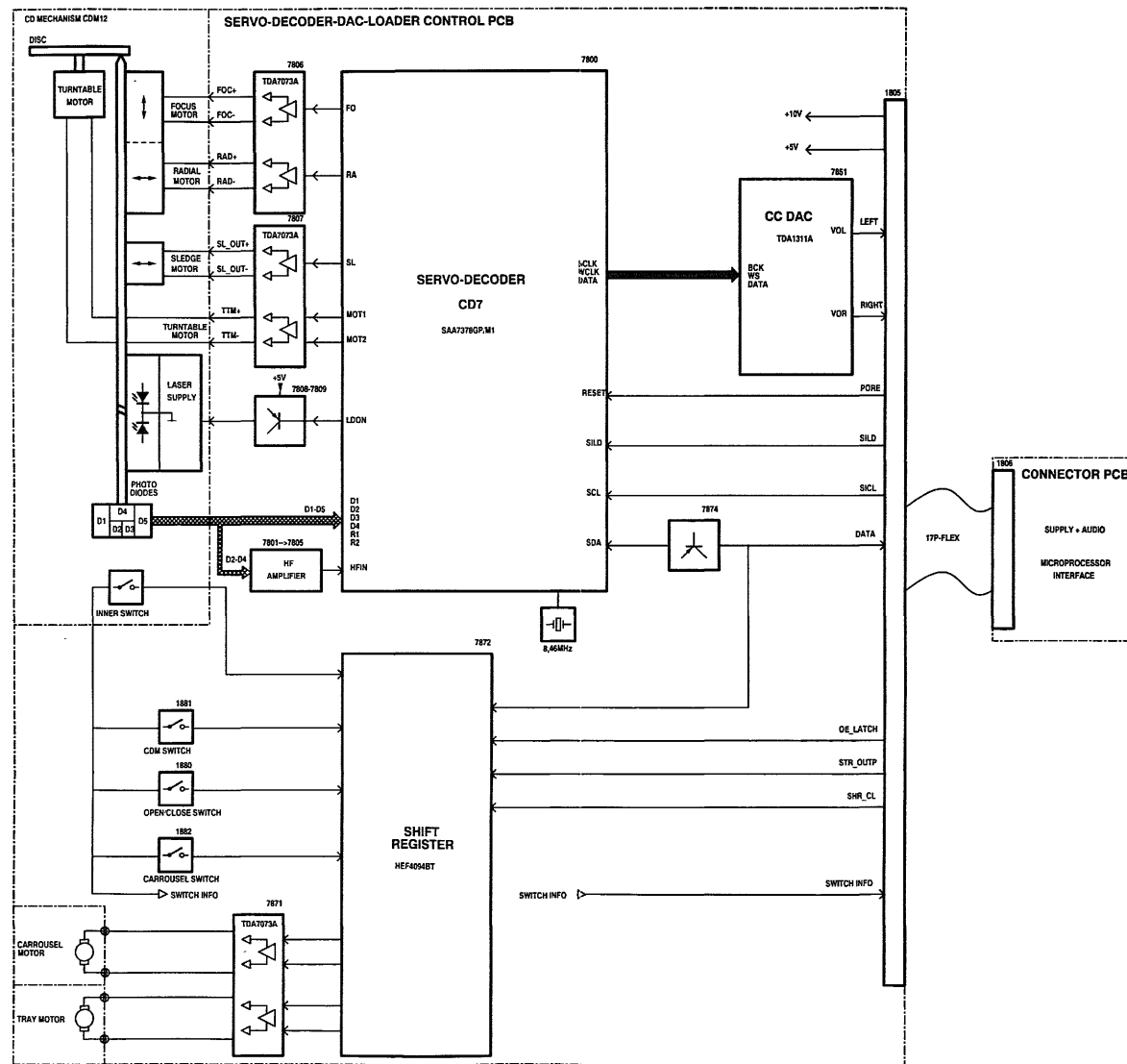
16) Diagrama Esquemático

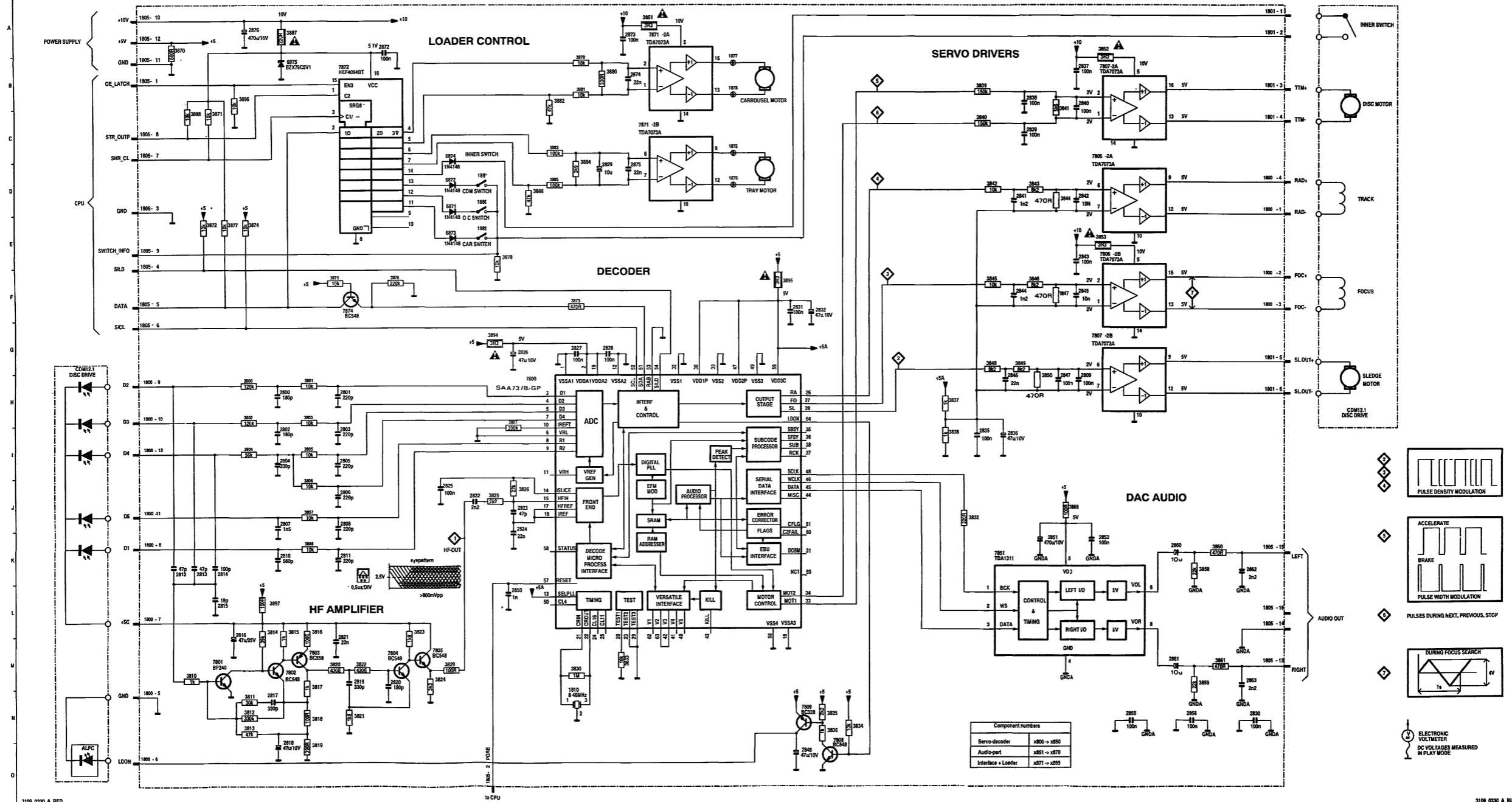
CD - SL 15

CD - SL 16

CD - SL 17

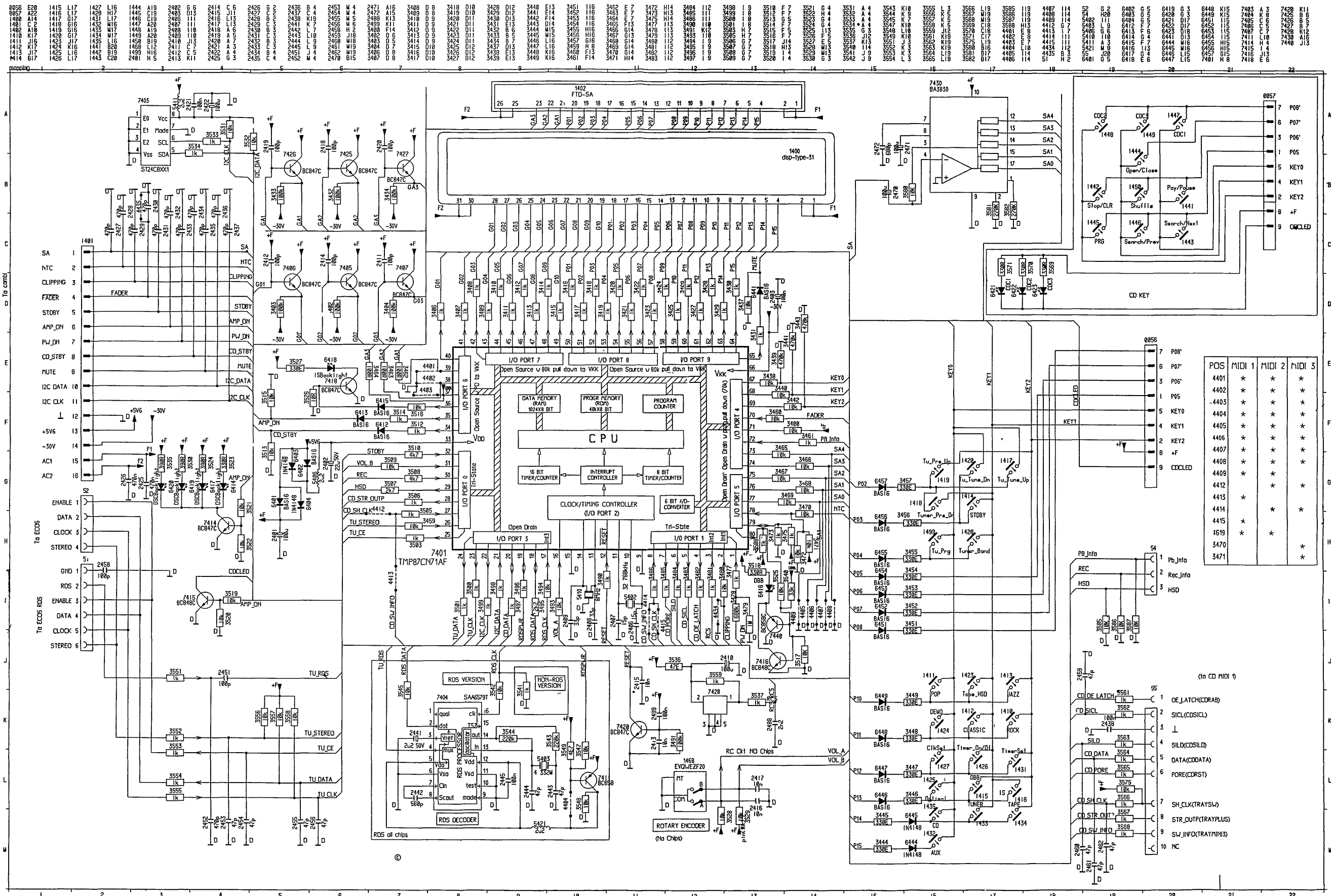






1800 D24	3877 E 4
1800 F24	3878 B 1
1800 G 3	3881 B 1
1800 H 3	3882 C 10
1800 L 3	3883 C 10
1800 M 3	3884 C 10
1800 N 3	3885 C 10
1800 O 3	3886 C 10
1800 P 3	3887 C 10
1800 Q 3	3888 C 10
1800 R 3	3889 C 10
1800 S 3	3890 C 10
1800 T 3	3891 C 10
1800 U 3	3892 C 10
1800 V 3	3893 C 10
1800 W 3	3894 C 10
1800 X 3	3895 C 10
1800 Y 3	3896 C 10
1800 Z 3	3897 C 10
1800 A 4	3898 C 10
1800 B 4	3899 C 10
1800 C 4	3900 C 10
1800 D 4	3901 C 10
1800 E 4	3902 C 10
1800 F 4	3903 C 10
1800 G 4	3904 C 10
1800 H 4	3905 C 10
1800 I 4	3906 C 10
1800 J 4	3907 C 10
1800 K 4	3908 C 10
1800 L 4	3909 C 10
1800 M 4	3910 C 10
1800 N 4	3911 C 10
1800 O 4	3912 C 10
1800 P 4	3913 C 10
1800 Q 4	3914 C 10
1800 R 4	3915 C 10
1800 S 4	3916 C 10
1800 T 4	3917 C 10
1800 U 4	3918 C 10
1800 V 4	3919 C 10
1800 W 4	3920 C 10
1800 X 4	3921 C 10
1800 Y 4	3922 C 10
1800 Z 4	3923 C 10
1800 A 5	3924 C 10
1800 B 5	3925 C 10
1800 C 5	3926 C 10
1800 D 5	3927 C 10
1800 E 5	3928 C 10
1800 F 5	3929 C 10
1800 G 5	3930 C 10
1800 H 5	3931 C 10
1800 I 5	3932 C 10
1800 J 5	3933 C 10
1800 K 5	3934 C 10
1800 L 5	3935 C 10
1800 M 5	3936 C 10
1800 N 5	3937 C 10
1800 O 5	3938 C 10
1800 P 5	3939 C 10
1800 Q 5	3940 C 10
1800 R 5	3941 C 10
1800 S 5	3942 C 10
1800 T 5	3943 C 10
1800 U 5	3944 C 10
1800 V 5	3945 C 10
1800 W 5	3946 C 10
1800 X 5	3947 C 10
1800 Y 5	3948 C 10
1800 Z 5	3949 C 10
1800 A 6	3950 C 10
1800 B 6	3951 C 10
1800 C 6	3952 C 10
1800 D 6	3953 C 10
1800 E 6	3954 C 10
1800 F 6	3955 C 10
1800 G 6	3956 C 10
1800 H 6	3957 C 10
1800 I 6	3958 C 10
1800 J 6	3959 C 10
1800 K 6	3960 C 10
1800 L 6	3961 C 10
1800 M 6	3962 C 10
1800 N 6	3963 C 10
1800 O 6	3964 C 10
1800 P 6	3965 C 10
1800 Q 6	3966 C 10
1800 R 6	3967 C 10
1800 S 6	3968 C 10
1800 T 6	3969 C 10
1800 U 6	3970 C 10
1800 V 6	3971 C 10
1800 W 6	3972 C 10
1800 X 6	3973 C 10
1800 Y 6	3974 C 10
1800 Z 6	3975 C 10
1800 A 7	3976 C 10
1800 B 7	3977 C 10
1800 C 7	3978 C 10
1800 D 7	3979 C 10
1800 E 7	3980 C 10
1800 F 7	3981 C 10
1800 G 7	3982 C 10
1800 H 7	3983 C 10
1800 I 7	3984 C 10
1800 J 7	3985 C 10
1800 K 7	3986 C 10
1800 L 7	3987 C 10
1800 M 7	3988 C 10
1800 N 7	3989 C 10
1800 O 7	3990 C 10
1800 P 7	3991 C 10
1800 Q 7	3992 C 10
1800 R 7	3993 C 10
1800 S 7	3994 C 10
1800 T 7	3995 C 10
1800 U 7	3996 C 10
1800 V 7	3997 C 10
1800 W 7	3998 C 10
1800 X 7	3999 C 10
1800 Y 7	4000 C 10
1800 Z 7	4001 C 10
1800 A 8	4002 C 10
1800 B 8	4003 C 10
1800 C 8	4004 C 10
1800 D 8	4005 C 10
1800 E 8	4006 C 10
1800 F 8	4007 C 10
1800 G 8	4008 C 10
1800 H 8	4009 C 10
1800 I 8	4010 C 10
1800 J 8	4011 C 10
1800 K 8	4012 C 10
1800 L 8	4013 C 10
1800 M 8	4014 C 10
1800 N 8	4015 C 10
1800 O 8	4016 C 10
1800 P 8	4017 C 10
1800 Q 8	4018 C 10
1800 R 8	4019 C 10
1800 S 8	4020 C 10
1800 T 8	4021 C 10
1800 U 8	4022 C 10
1800 V 8	4023 C 10
1800 W 8	4024 C 10
1800 X 8	4025 C 10
1800 Y 8	4026 C 10
1800 Z 8	4027 C 10
1800 A 9	4028 C 10
1800 B 9	4029 C 10
1800 C 9	4030 C 10
1800 D 9	4031 C 10
1800 E 9	4032 C 10
1800 F 9	4033 C 10
1800 G 9	4034 C 10
1800 H 9	4035 C 10
1800 I 9	4036 C 10
1800 J 9	4037 C 10
1800 K 9	4038 C 10
1800 L 9	4039 C 10
1800 M 9	4040 C 10
1800 N 9	4041 C 10
1800 O 9	4042 C 10
1800 P 9	4043 C 10
1800 Q 9	4044 C 10
1800 R 9	4045 C 10
1800 S 9	4046 C 10
1800 T 9	4047 C 10
1800 U 9	4048 C 10
1800 V 9	4049 C 10
1800 W 9	4050 C 10
1800 X 9	4051 C 10
1800 Y 9	4052 C 10
1800 Z 9	4053 C 10
1800 A 10	4054 C 10
1800 B 10	4055 C 10
1800 C 10	4056 C 10
1800 D 10	4057 C 10
1800 E 10	4058 C 10
1800 F 10	4059 C 10
1800 G 10	4060 C 10
1800 H 10	4061 C 10
1800 I 10	4062 C 10
1800 J 10	4063 C 10
1800 K 10	4064 C 10
1800 L 10	4065 C 10
1800 M 10	4066 C 10
1800 N 10	4067 C 10
1800 O 10	4068 C 10
1800 P 10	4069 C 10
1800 Q 10	4070 C 10
1800 R 10	4071 C 10
1800 S 10	4072 C 10
1800 T 10	4073 C 10
1800 U 10	4074 C 10
1800 V 10	4075 C 10
1800 W 10	4076 C 10
1800 X 10	4077 C 10
1800 Y 10	4078 C 10
1800 Z 10	4079 C 10
1800 A 11	4080 C 10
1800 B 11	4081 C 10
1800 C 11	4082 C 10
1800 D 11	4083 C 10
1800 E 11	4084 C 10
1800 F 11	4085 C 10
1800 G 11	4086 C 10
1800 H 11	4087 C 10
1800 I 11	4088 C 10
1800 J 11	4089 C 10
1800 K 11	4090 C 10
1800 L 11	4091 C 10
1800 M 11	4092 C 10
1800 N 11	4093 C 10
1800 O 11	4094 C 10
1800 P 11	4095 C 10
1800 Q 11	4096 C 10
1800 R 11	4097 C 10
1800 S 11	4098 C 10
1800 T 11	4099 C 10
1800 U 11	4100 C 10
1800 V 11	4101 C 10
1800 W 11	4102 C 10
1800 X 11	4103 C 10
1800 Y 11	4104 C 10
1800 Z 11	4105 C 10
1800 A 12	4106 C 10
1800 B 12	4107 C 10
1800 C 12	4108 C 10
1800 D 12	4109 C 10
1800 E 12	4110 C 10
1800 F 12	4111 C 10
1800 G 12	4112 C 10
1800 H 12	4113 C 10
1800 I 12	4114 C 10
1800 J 12	4115 C 10
1800 K 12	4116 C 10
1800 L 12	4117 C 10
1800 M 12	4118 C 10
1800 N 12	4119 C 10
1800 O 12	4120 C 10
1800 P 12	4121 C 10
1800 Q 12	4122 C 10
1800 R 12	4123 C 10
1800 S 12	4124 C 10
1800 T 12	4125 C 10
1800 U 12	4126 C 10
1800 V 12	4127 C 10
1800 W 12	4128 C 10
1800 X 12	4129 C 10
1800 Y 12	4130 C 10
1800 Z 12	4131 C 10
1800 A 13	4132 C 10
1800 B 13	4133 C 10
1800 C 13	4134 C 10
1800 D 13	4135 C 10
1800 E 13	4136 C 10
1800 F 13	4137 C 10
1800 G 13	4138 C 10
1800 H 13	4139 C 10
1800 I 13	4140 C 10
1800 J 13	4141 C 10
1800 K 13	4142 C 10
1800 L 13	4143 C 10
1800 M 13	4144 C 10
1800 N 13	4145 C 10
1800 O 13	4146 C 10
1800 P 13	4147 C 10
1800 Q 13	4148 C 10
1800 R 13	4149 C 10
1800 S 13	4150 C 10
1800 T 13	4151 C 10
1800 U 13	4152 C 10
1800 V 13	4153 C 10
1800 W 13	4154 C 10
1800 X 13	4155 C 10
1800 Y 13	4156 C 10
1800 Z 13	4157 C 10
1800 A 14	4158 C 10
1800 B 14	4159 C 10
1800 C 14	4160 C 10
1800 D 14	4161 C 10
1800 E 14	4162 C 10
1800 F 14	4163 C 10
1800 G 14	4164 C 10
1800 H 14	4165 C 10
1800 I 14	4166 C 10
1800 J 14	4167 C 10
1800 K 14	4168 C 10
1800 L 14	4169 C 10
1800 M 14	4170 C 10
1800 N 14	4171 C 10
1800 O 14	4172 C 10
1800 P 14	4173 C 10
1800 Q 14	4174 C 10
1800 R 14	4175 C 10
1800 S 14	4176 C 10
1800 T 14	4177 C 10
1800 U 14	4178 C 10
1800 V 14	4179 C 10
1800 W 14	4180 C 10
1800 X 14	4181 C 10
1800 Y 14	4182 C 10
1800 Z 14	4183 C 10
1800 A 15	4184 C 10
1800 B 15	4185 C 10
1800 C 15	4186 C 10
1800 D 15	4187 C 10
1800 E 15	4188 C 10
1800 F 15	4189 C 10
1800 G 15	4190 C 10
1800 H 15	4191 C 10
1800 I 15	4192 C 10
1800 J 15	4193 C 10
1800 K 15	4194 C 10
1800 L 15	4195 C 10
1800 M 15	4196 C 10
1800 N 15	4197 C 10
1800 O 15	4198 C 10
1800 P 15	4199 C 10
1800 Q 15	4200 C 10
1800 R 15	4201 C 10
1800 S 15	4202 C 10
1800 T 15	4203 C 10
1800 U 15	4204 C 10
1800 V 15	4205 C 10
1800 W 15	4206 C 10
1800 X 15	4207 C 10
1800 Y 15	4208 C 10
1800 Z 15	4209 C 10
1800 A 16	4210 C 10
1800 B 16	4211 C 10
1800 C 16	4212 C 10
1800 D 16	4213 C 10
1800 E 16	4214 C 10
1800 F 16	4215 C 10
1800 G 16	4216 C 10
1800 H 16	4217 C 10
1800 I 16	4218 C 10
1800 J 16	4219 C 10
1800 K 16	4220 C 10
1800 L 16	4221 C 10
1800 M 16	4222 C 10
1800 N 16	4223 C 10
1800 O 16	4224 C 10
1800 P 16	4225 C 10
1800 Q 16	4226 C 10
1800 R 16	4227 C 10
1800 S 16	4228 C 10
1800 T 16	4229 C 10
1800 U 16	4230 C 10
1800 V 16	4231 C 10
1800 W 16	4232 C 10
1800 X 16	4233 C 10
1800 Y 16	4234 C 10
1800 Z 16	4235 C 10
1800 A 17	4236 C 10
1800 B 17	4237 C 10
1800 C 17	4238 C 10
1800 D 17	4239 C 10
1800 E 17	4240 C 10
1800 F 17	4241 C 10
1800 G 17	4242 C 10
1800 H 17	4243 C 10
1800 I 17	4244 C 10
1800 J 17	4245 C 10
1800 K 17	4246 C 10
1800 L 17	4247 C 10
1800 M 17	4248 C 10
1800 N 17	4249 C 10
1800 O 17	4250 C 10
1800 P 17	4251 C 10
1800 Q 17	4252 C 10
1800 R 17	4253 C 10
1800 S 17	4254 C 10
1800 T 17	4255 C 10
1800 U 17	4256 C 10
1800 V 17	4257 C 10
1800 W 17	4258 C 10
1800 X 17	4259 C 10
1800 Y 17	4260 C 10
1800 Z 17	4261 C 10
1800 A 18	4262 C 10
1800 B 18	4263 C 10
1800 C 18	4264 C 10
1800 D 18	4265 C 10
1800 E 18	4266 C 10
1800 F 18	4267 C 10
1800 G 18	4268 C

DIAGRAMA ELÉTRICO



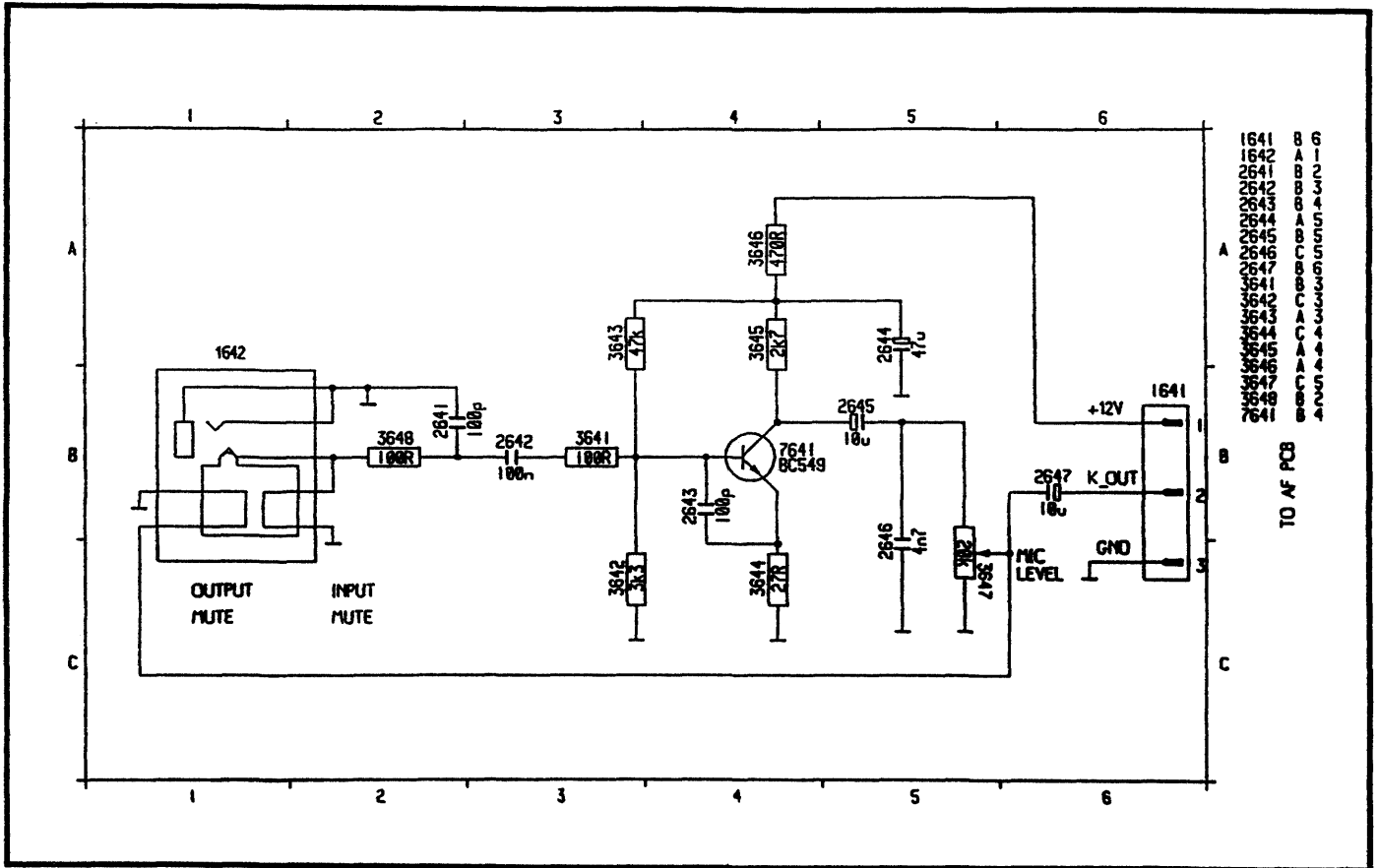
POS	MIDI 1	MIDI 2	MIDI 3
4401	*	*	*
4402	*	*	*
4403	*	*	*
4404	*	*	*
4405	*	*	*
4406	*	*	*
4407	*	*	*
4408	*	*	*
4412	*	*	*
4413	*	*	*
4414	*	*	*
4415	*	*	*
4619	*	*	*
3470	*	*	*

(to CD MIDI 1)

1	OE_LATCH(CDRAB)
2	SICL(CDSICL)
3	↓
4	SILD(CDSILD)
5	DATA(CDDATA)
6	PORE(CDRST)
7	SH_CLK(TRAYSW)
8	STR_OUTP(TRAYPLUS)
9	SW_INF0(TRAYMINIS)
10	NC



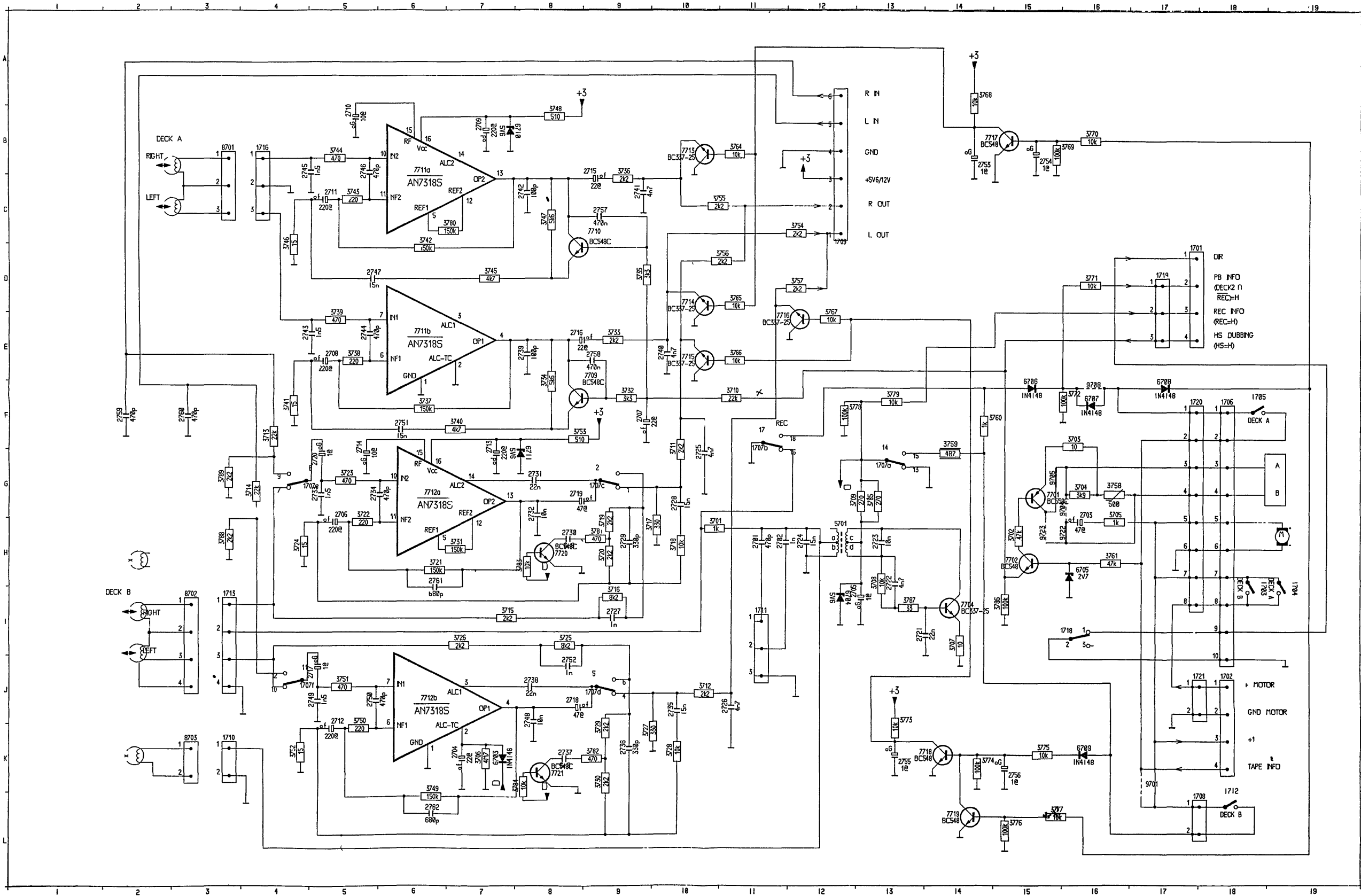
DIAGRAMA ELÉTRICO



LISTA DE PEÇAS

POSIÇÃO	CÓDIGO	DESCRIÇÃO
1641	NÃO DISPONÍVEL	Sem condições de fornecimento
1642	4822 267 40898	Conector do MIC
3647	4822 101 21204	Potenciômetro - 20kΩ (MIC LEVEL)
7641	4806 130 47045	Transistor - BC 549

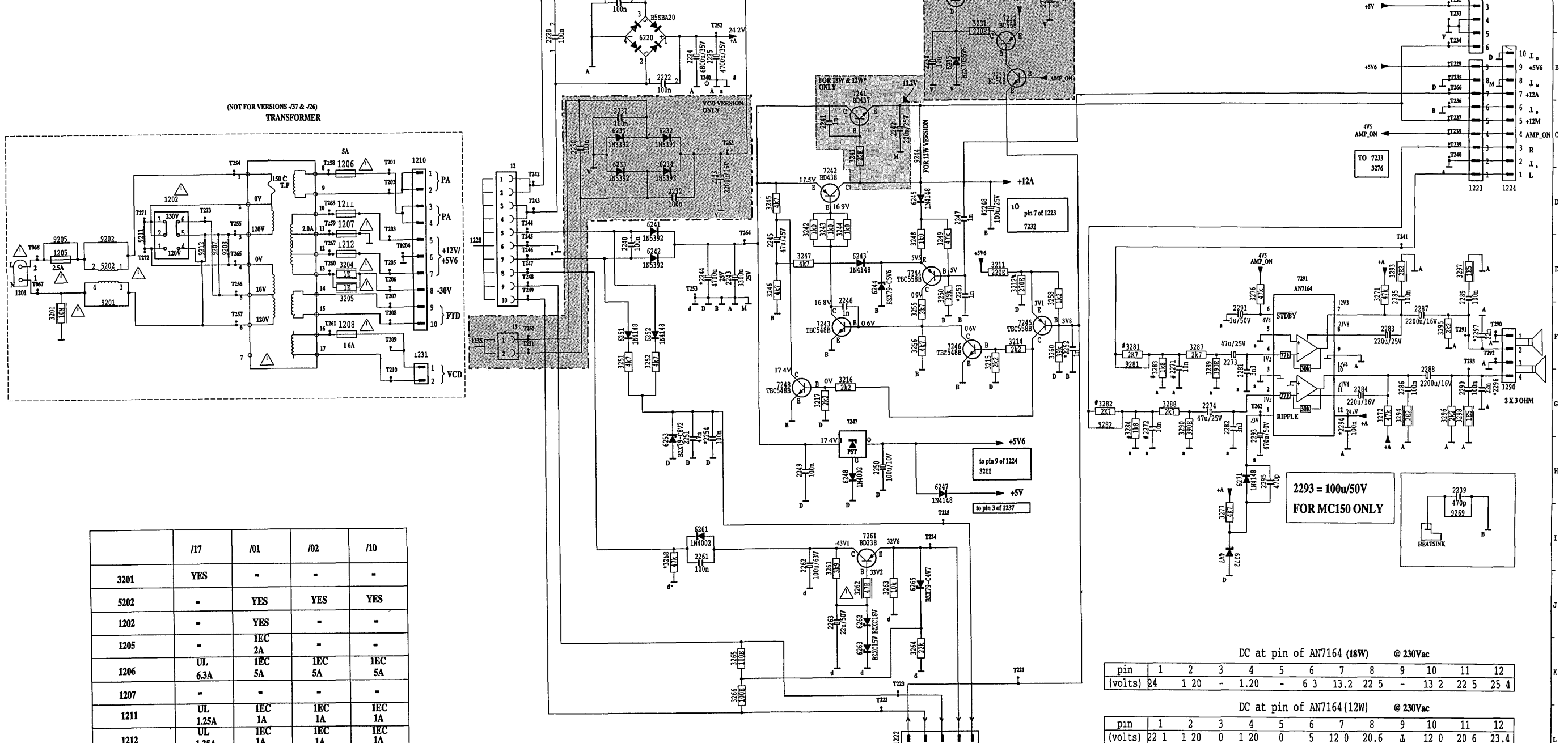
Obs: Materias Standard como capacitores, resistores e etc, devem ser os de uso normal em nossa linha de aparelhos.



1701	D17	3755	K 4
1702	D18	3756	K 5
1703	D19	3757	K 6
1704	D20	3758	K 7
1705	D21	3759	K 8
1706	D22	3760	K 9
1707	D23	3761	K 10
1708	D24	3762	K 11
1709	D25	3763	K 12
1710	D26	3764	K 13
1711	D27	3765	K 14
1712	D28	3766	K 15
1713	D29	3767	K 16
1714	D30	3768	K 17
1715	D31	3769	K 18
1716	D32	3770	K 19
1717	D33	3771	K 20
1718	D34	3772	K 21
1719	D35	3773	K 22
1720	D36	3774	K 23
1721	D37	3775	K 24
1722	D38	3776	K 25
1723	D39	3777	K 26
1724	D40	3778	K 27
1725	D41	3779	K 28
1726	D42	3780	K 29
1727	D43	3781	K 30
1728	D44	3782	K 31
1729	D45	3783	K 32
1730	D46	3784	K 33
1731	D47	3785	K 34
1732	D48	3786	K 35
1733	D49	3787	K 36
1734	D50	3788	K 37
1735	D51	3789	K 38
1736	D52	3790	K 39
1737	D53	3791	K 40
1738	D54	3792	K 41
1739	D55	3793	K 42
1740	D56	3794	K 43
1741	D57	3795	K 44
1742	D58	3796	K 45
1743	D59	3797	K 46
1744	D60	3798	K 47
1745	D61	3799	K 48
1746	D62	3800	K 49
1747	D63	3801	K 50
1748	D64	3802	K 51
1749	D65	3803	K 52
1750	D66	3804	K 53
1751	D67	3805	K 54
1752	D68	3806	K 55
1753	D69	3807	K 56
1754	D70	3808	K 57
1755	D71	3809	K 58
1756	D72	3810	K 59
1757	D73	3811	K 60
1758	D74	3812	K 61
1759	D75	3813	K 62
1760	D76	3814	K 63
1761	D77	3815	K 64
1762	D78	3816	K 65
1763	D79	3817	K 66
1764	D80	3818	K 67
1765	D81	3819	K 68
1766	D82	3820	K 69
1767	D83	3821	K 70
1768	D84	3822	K 71
1769	D85	3823	K 72
1770	D86	3824	K 73
1771	D87	3825	K 74
1772	D88	3826	K 75
1773	D89	3827	K 76
1774	D90	3828	K 77
1775	D91	3829	K 78
1776	D92	3830	K 79
1777	D93	3831	K 80
1778	D94	3832	K 81
1779	D95	3833	K 82
1780	D96	3834	K 83
1781	D97	3835	K 84
1782	D98	3836	K 85
1783	D99	3837	K 86
1784	D100	3838	K 87
1785	D101	3839	K 88
1786	D102	3840	K 89
1787	D103	3841	K 90
1788	D104	3842	K 91
1789	D105	3843	K 92
1790	D106	3844	K 93
1791	D107	3845	K 94
1792	D108	3846	K 95
1793	D109	3847	K 96
1794	D110	3848	K 97
1795	D111	3849	K 98
1796	D112	3850	K 99
1797	D113	3851	K 100
1798	D114	3852	K 101
1799	D115	3853	K 102
1800	D116	3854	K 103

12 C	1207 D	1222 H14	1240 H11	2222 B10	2232 D11	2240 B10	2245 B12	2250 H14	2261 I11	2273 F19	2284 G21	2289 G22	2295 H19	3214 F16	3241 C13	3246 B12	3250 F10	3260 F16	3265 K11	3276 F19	3284 G17	3293 G21	3298 G22	6233 C10	6243 B13	6251 F10	6263 K13	7232 A11	7244 B14	7261 I13	9207 G14	9214 M10	9269 I22
1201	1210 E	1221 D25	1241 B11	2223 B11	2233 D11	2241 C13	2246 B12	2251 G11	2262 I12	2274 G16	2285 G21	2291 G19	3201 F19	3215 F15	3242 D13	3247 B12	3252 F10	3261 F16	3266 K11	3277 F19	3285 G17	3294 G22	6232 C10	6242 B13	6252 F10	6264 K13	7233 A11	7245 B14	7262 I13	9208 G14	9215 M10	9282 G17	
1202	1211 E	1223 D25	1242 B11	2224 B11	2234 D11	2242 C14	2247 B12	2252 G11	2263 I12	2275 G16	2286 G22	2292 G19	3202 F19	3216 F15	3243 D13	3248 B12	3253 F10	3262 F16	3267 K11	3278 F19	3286 G17	3295 G22	6234 C10	6244 B13	6253 F10	6265 K13	7234 A11	7246 B14	7263 I13	9209 G14	9216 M10		
1203	1212 E	1224 D25	1243 B11	2225 B11	2235 D11	2243 C14	2248 B12	2253 G11	2264 I12	2276 G16	2287 G22	2293 G19	3203 F19	3217 F15	3244 D13	3249 B12	3254 F10	3263 F16	3268 K11	3279 F19	3287 G17	3296 G22	6235 C10	6245 B13	6254 F10	6266 K13	7235 A11	7247 B14	7264 I13	9210 G14	9217 M10		
1204	1213 E	1225 D25	1244 B11	2226 B11	2236 D11	2244 C14	2249 B12	2254 G11	2265 I12	2277 G16	2288 G22	2294 G19	3204 F19	3218 F15	3245 D13	3250 B12	3255 F10	3264 F16	3269 K11	3280 F19	3288 G17	3297 G22	6236 C10	6246 B13	6255 F10	6267 K13	7236 A11	7248 B14	7265 I13	9211 G14	9218 M10		
1205	1214 E	1226 D25	1245 B11	2227 B11	2237 D11	2245 C14	2250 B12	2255 G11	2266 I12	2278 G16	2289 G22	2295 G19	3205 F19	3219 F15	3246 D13	3251 B12	3256 F10	3265 F16	3270 K11	3281 F19	3289 G17	3298 G22	6237 C10	6247 B13	6256 F10	6268 K13	7237 A11	7249 B14	7266 I13	9212 G14	9219 M10		

POWER BOARD



(NOT FOR VERSIONS -37 & -26)  
TRANSFORMER

	/17	/01	/02	/10
3201	YES	-	-	-
5202	-	YES	YES	YES
1202	-	YES	-	-
1205	-	1EC 2A	-	-
1206	UL 6.3A	1EC 5A	1EC 5A	1EC 5A
1207	-	-	-	-
1211	UL 1.25A	1EC 1A	1EC 1A	1EC 1A
1212	UL 1.25A	1EC 1A	1EC 1A	1EC 1A
9201	YES	-	-	-
9202	YES	-	-	-
9205	YES	-	YES	YES
9207	-	-	-	-
9208	-	-	-	YES
9211	-	-	-	-
9212	-	-	-	-

VERSION IDENTIFICATION

T340	→ 5213	T341	/17
T342	→ 5214	T343	/01
T344	→ 5215	T345	/02
T346	→ 5216	T347	/10
T348	→ 5217	T349	/06

voltage measured during CD play mode

DC at pin of AN7164 (18W) @ 230Vac

pin	1	2	3	4	5	6	7	8	9	10	11	12
(volts)	24	1.20	-	1.20	-	6.3	13.2	22.5	-	13.2	22.5	25.4

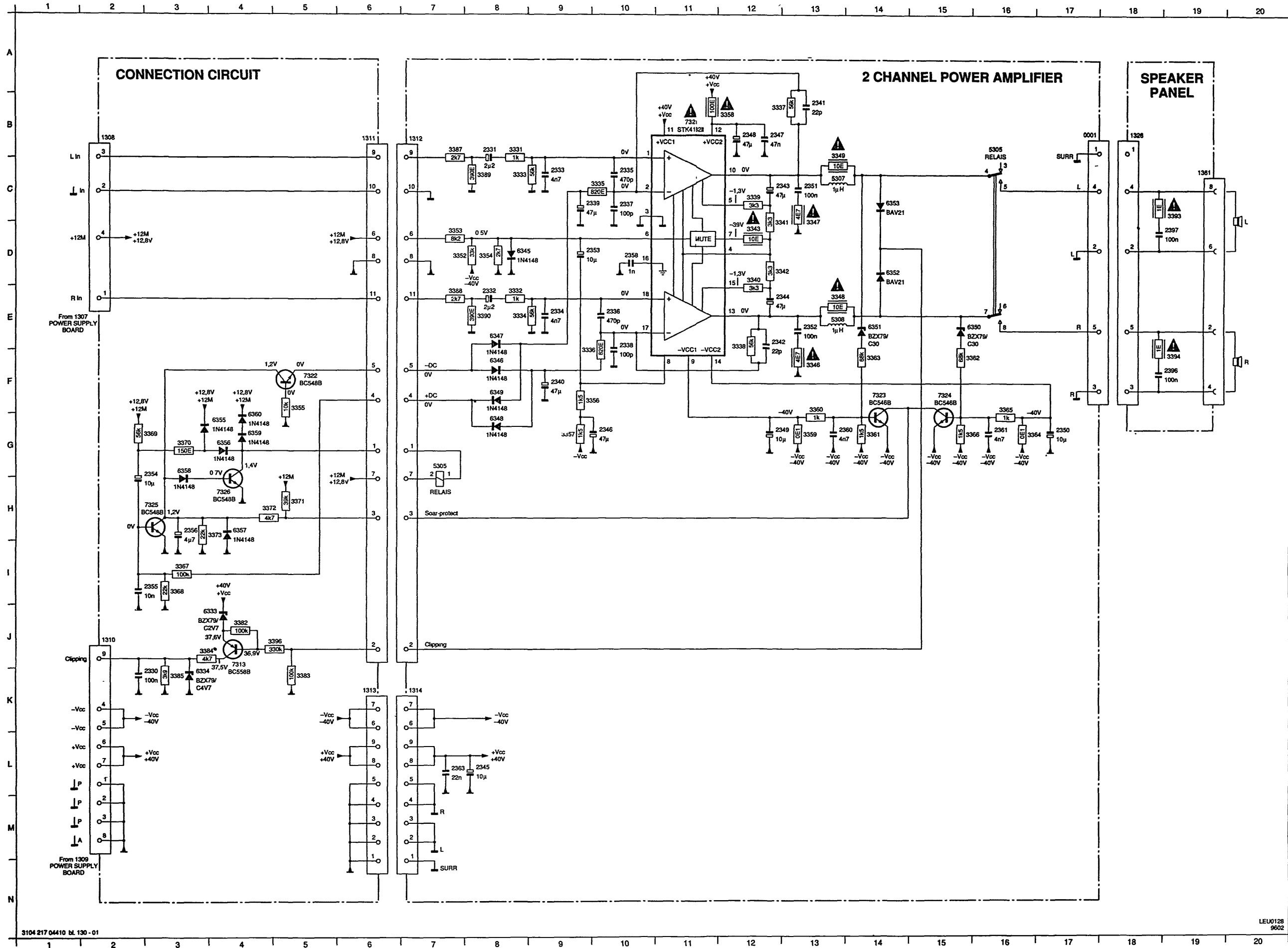
DC at pin of AN7164 (12W) @ 230Vac

pin	1	2	3	4	5	6	7	8	9	10	11	12
(volts)	22	1.20	0	1.20	0	5	12.0	20.6	∅	12.0	20.6	23.4

AMP_ON	STD_BY			# VALUES FOR 12W	
	H	Z	L	3281 / 3282	2K2
H	SET ON VCD OFF	SET ON VCD ON		3283 / 3284	1K5
L			SET GOES STD_BY	2271 / 2272	8n2
				2248	220u
				9244	YES

2294 NOT IN LAYOUT \* For provision only





0001	B17	7323	F14
1308	B2	7324	F15
1310	J2	7325	H3
1311	B6	7326	H4
1312	B7		
1313	K6		
1314	K7		
1325	B18		
1361	C19		
2330	K3		
2331	B8		
2332	E8		
2333	C9		
2334	E9		
2335	C10		
2336	E10		
2337	C10		
2338	E10		
2339	C9		
2340	F9		
2341	B13		
2342	E12		
2343	C12		
2344	E12		
2345	L8		
2346	G10		
2347	B12		
2348	B12		
2349	G12		
2350	G17		
2351	C13		
2352	E13		
2353	D9		
2354	G3		
2355	I3		
2356	H3		
2358	D10		
2360	G13		
2361	G16		
2363	L7		
2396	F19		
2397	D19		
3331	B8		
3332	E8		
3333	C8		
3334	E8		
3335	C9		
3336	F9		
3337	B12		
3338	E12		
3339	C12		
3340	D12		
3341	D12		
3342	D12		
3343	D12		
3344	F13		
3347	D13		
3348	E13		
3349	B13		
3352	D7		
3353	D7		
3354	D8		
3355	F5		
3356	F9		
3357	G9		
3358	B12		
3359	G13		
3360	F13		
3361	G14		
3362	F15		
3363	F14		
3364	G16		
3365	F16		
3366	G15		
3367	I3		
3368	I3		
3369	G3		
3370	G3		
3371	H5		
3372	H4		
3373	H4		
3382	J4		
3383	K5		
3384	J3		
3385	K3		
3387	B7		
3388	E7		
3389	C8		
3390	E8		
3393	C19		
3394	F19		
3396	J4		
5305	G7		
5307	C13		
5308	E13		
6333	J3		
6334	K3		
6345	D8		
6346	F8		
6347	E8		
6348	G8		
6349	F8		
6350	E15		
6351	E14		
6352	D14		
6353	C14		
6355	G4		
6356	G4		
6357	H4		
6358	G3		
6359	G4		
6360	G4		
7313	J4		
7321	B11		
7322	F5		

